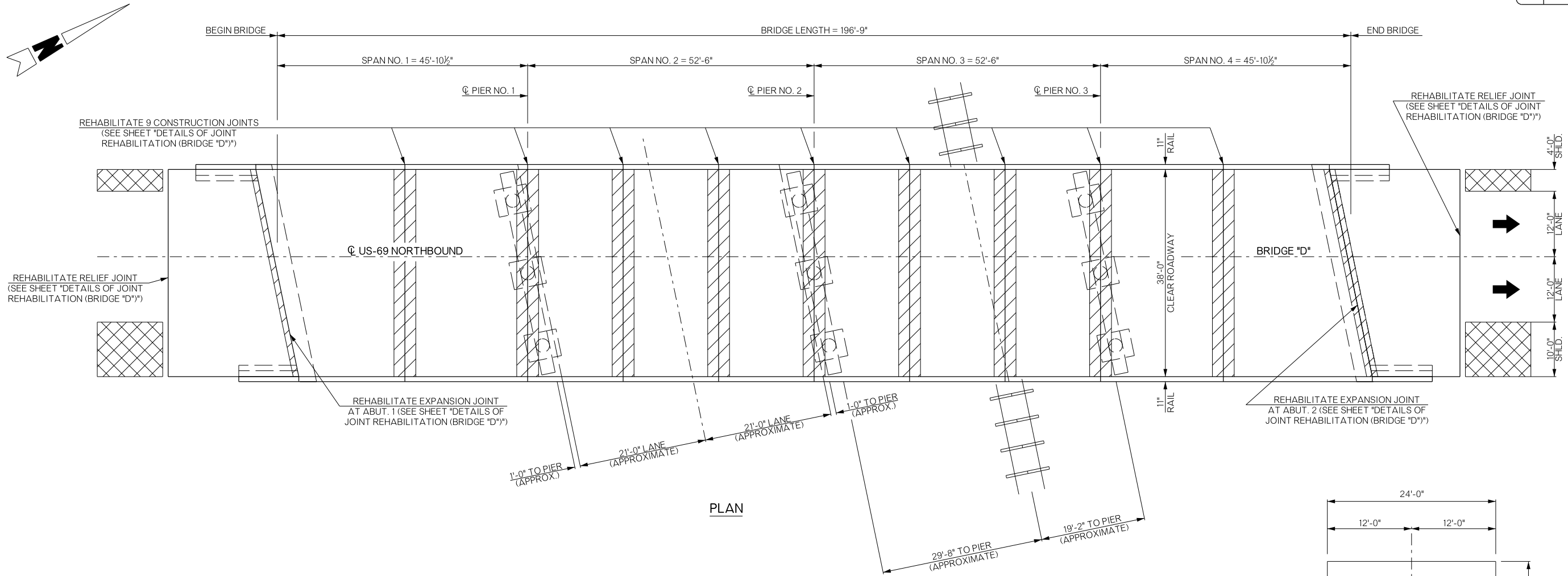
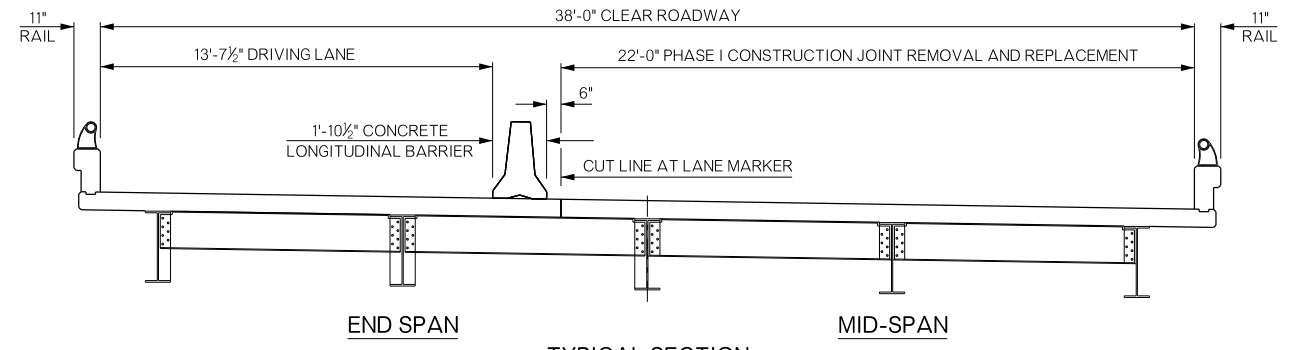


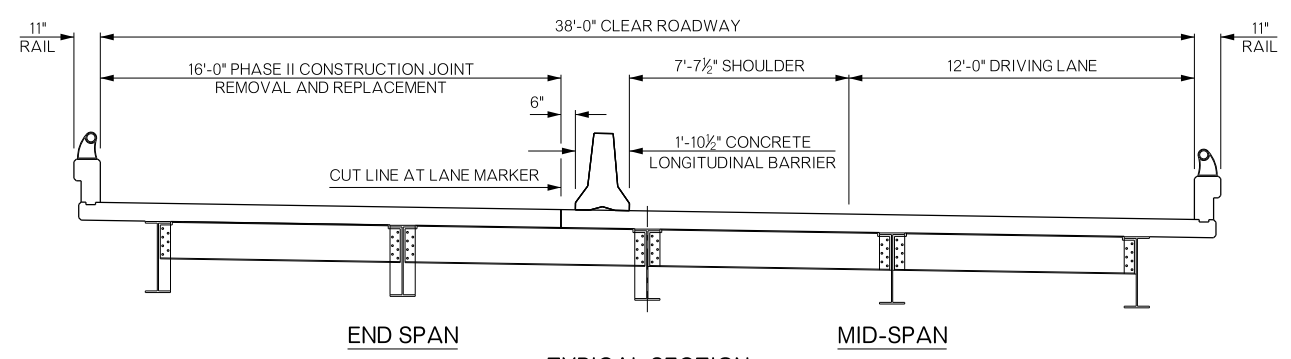
REVISIONS		
REV. NO.	DESCRIPTION	DATE



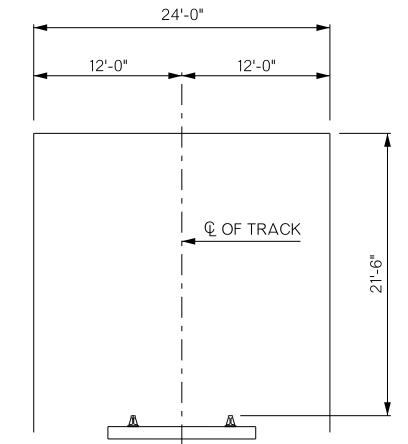
PLAN



TYPICAL SECTION (PHASE I)



TYPICAL SECTION (PHASE II)



KIAMICHI FALSEWORK CLEARANCE DIAGRAM

CLEARANCE OF FALSEWORK REQUIRED BY R.R. FOR OPERATION DURING CONSTRUCTION.

HORIZONTAL DIMENSIONS SHOWN ARE MEASURED AT RIGHT ANGLES TO C OF R.R. TRACK.

VERTICAL DIMENSION SHOWN IS PERPENDICULAR TO PLANE OF TOP OF RAILS.

BRIDGE "D" US-69 NORTHBOUND OVER W. ARKANSAS ST. & R.R.	BRYAN COUNTY		Design	N/A	N/A
	GENERAL PLAN AND TYPICAL SECTION (BRIDGE "D")		Detail	DAN	5/16
			Check	TEE	6/16
			Squad	HENSLEY	
		Engr:	DEFRANCO		
STATE OF OKLAHOMA		DEPARTMENT OF TRANSPORTATION		JOB/PIECE NO. 24333(08)	
				SHEET NO. B007	